

TR14H

Portable Expandable Multiscreen

User Manual



PRODUCT INFORMATION



The order of turning on the device is to open screen 2 first, then open screen 1. Closing the device, you must first close screen 1 and then close screen 2.

(Note: Do not touch the display with your hands, it is recommended to unfold and close the device from the middle position)

Using a TYPE-C Thunderbolt data cable and an HD-mini cable to connect to a computer or laptop can support 2 extended display screens at the same time; only 2 cables will make it work so it reduces the messy troubles caused by multi-line connections to users and consumers.

1. The screen extender is connected to the computer through the Type-c interface. If there is no Type-C interface or the Type-c interface cannot be used, it connects the Type-C interface of the device through the USB 3.0 interface of the computer.
2. Ensure that the computer system is Windows 10 or 11. If the device displays no signal, please check and update Windows and makes sure the computer has Thunderbolt USB port.
3. The MAC Intel system needs the Intel System. You will need one USB-C Thunder-bolt port and one mini-HDMI cable connection.
4. Compatible with various operating systems such as WINDOWS, MAC Intel, Andriod with the thunder bolt interface to meet the needs of users for multi-screen synchronization extending screens.

PRODUCT INTRODUCTION

Interface Button

1. Type-C data interface: connect to the laptop TYPE-C Thunderbolt data interface.
2. Mini HDMI interface: connect to the laptop HDMI interface.
3. Type-C power interface: supporting (5V-20V) PD protocol.



Buttons

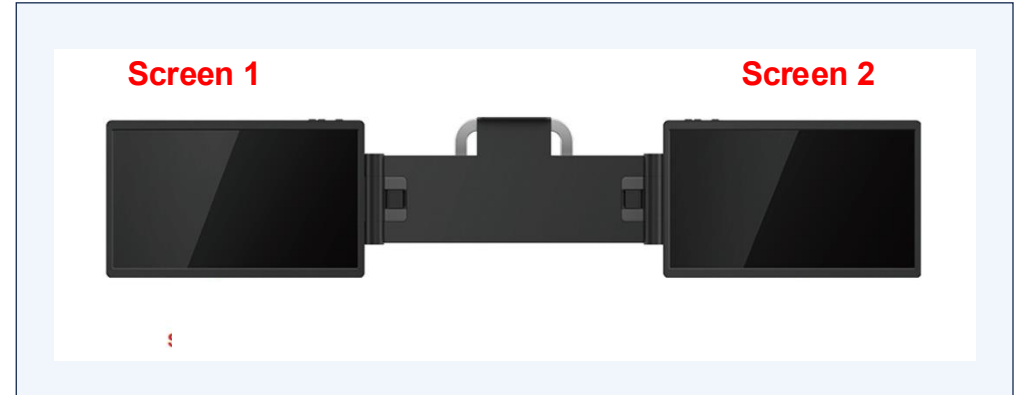
1. 1/4 Screen off key
2. 3/6 Screen brightness button
3. 2/5 Screen dimmed button

- 1 Screen off key
- 2 Screen brightness -
- 3 Screen brightness +

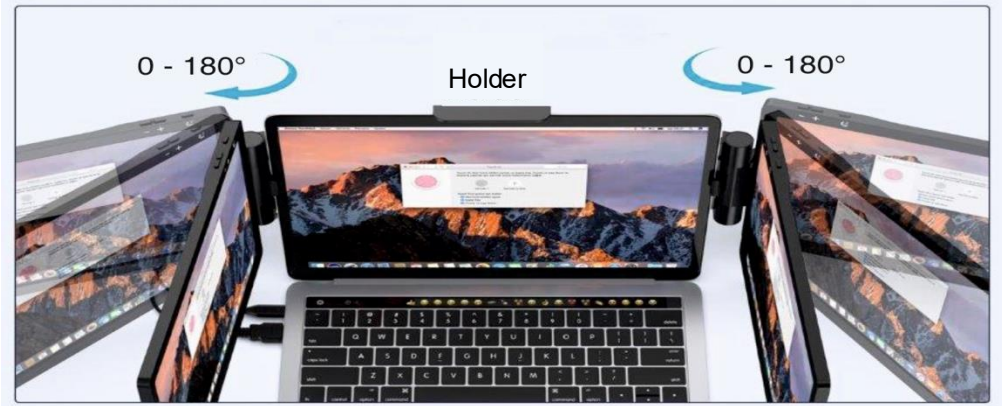
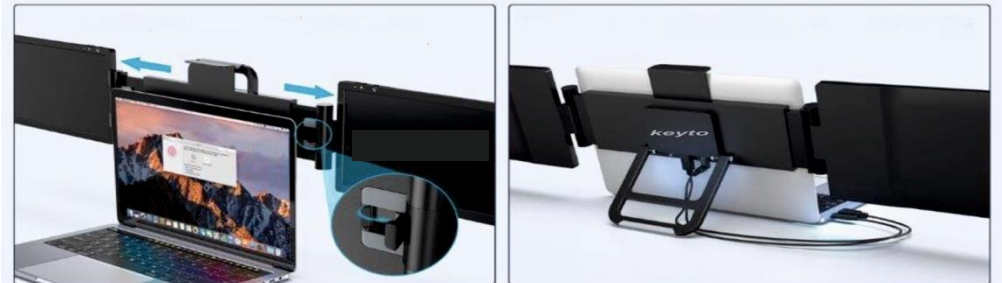
- 4 Screen off key
- 5 Screen brightness -
- 6 Screen brightness +



PRODUCT INTRODUCTION



ROTATE ANGLES



TECHNICAL SPECIFICATIONS

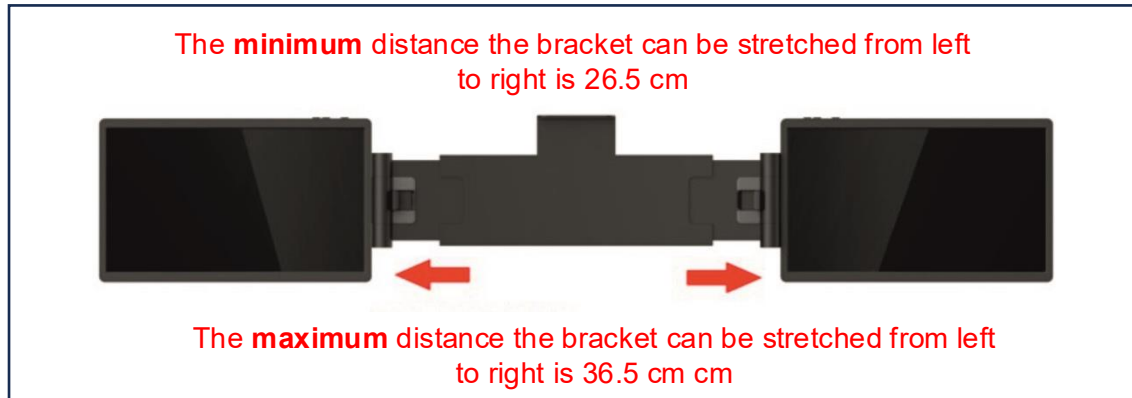
Required: Notebook must have Type-C Thunderbolt & HDMI port

Size: 14 Inch LCD IPS screen x 2
Display area: 301.5936(H) x 188.496(V)mm
Brightness: 330cdm
Pixel Pitch: 0.157(H) × 0.157(V)mm
Display color: 262K
Response time: 20 (Typ.)(Tr+Td)ms
Video input: Type-C, mini HDMI
Driver: No driver needed
Keypress: Sleep mode key, screen brightness key up. Screen brightness key down
Interface: Type-C x 2 (Main laptop connection interface x 1, PD power supply interface x1,) mini HDMI x 1
Size: Length 360mm x Width 218mm x thickness 43 mm
Net weight: 1.75kg

Resolution: 1920 x 1200 Pixels
Lamp: W-LED backlight
Contrast ratio: 1000:1
Aspect ratio: 16:10
Gamut color: 45% NTSC
Refresh rate: 60hz
Power input: 5V-3A

Accessories: Monitor x 1, USB-C cable x 1 USB-A x 1, mini HDMI-HDMI x 1, Type-C, mini HDMI x 1

E0&E: Product information and specifications are subject to change without prior notice.



PRODUCT WARNING

Operate the dual-screen monitor carefully, avoid pressing with your fingers or hard objects on the screen. Do not rotate excessively.
Rotate screen angle allowed (0° - 180°)

PRODUCT SETUP STEPS

1. Open the monitor in the direction shown in the figure below.(Note: Do not touch the monitor with your hands, it is recommended to unfold and close the device from the middle position).
2. Pull the screen in the direction to the same width as the laptop monitor, and then buckle it on the laptop through the buckle in the middle of the device.
3. There is a bearing gravity bracket on the back of the tri-screen monitor, which can be adjusted according to the angle you need when using it.
4. Use the corresponding cable to connect the tri-screen monitor and the laptop. (For the corresponding ports of the tri-screen monitor, please refer to the "Interfaces and buttons" in this manual).

INSTRUCTIONS

1. To use the monitors, first determine the type of connector you have on your laptop. As shown below
2. If the laptop has two Type-C ports, use the Type-C data cable that comes with the dual screen display to connect.
3. If the laptop has one Type-C port, then connect the multi-screen using the HDMI port of the laptop.
4. If the laptop does not have a Type-C power interface, use the Type-C to USB cable to connect to the USB port on the laptop.
5. In the event the USB port power is insufficient, use external USB power source.

USB 3.0 Interface



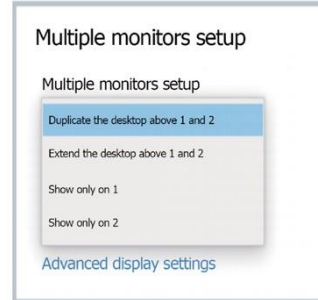
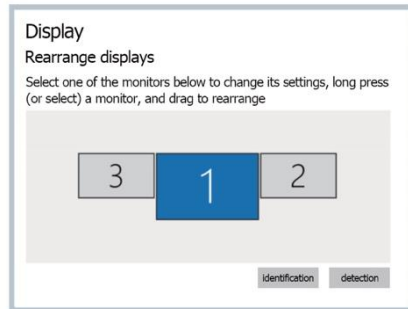
Type C Interface

Adjust the screen display settings in the notebook settings, select the same screen display or split screen display.

COMPUTER SETTINGS

WINDOWS

1. Enter Display Settings (Start Settings System Display)
2. Click and drag the screen
3. If you need to set different display modes for multiple screens, select screen 1 / 2 or 3 by clicking the "Identification" button at the bottom of the screen to recognize the corresponding screen) and select the corresponding display, then go to the "Multiple Display Settings" menu to configure Set accordingly. (*Please go to the graphics card to set up three screens at the same time
4. If the screen is upside down, click the screen, and "Display Orientation" in "Scale and Layout" and adjust it in the drop-down menu.



MAC Intel

1. Open System Preferences
2. Select Displays from the menu
3. Click Arrangement under Display settings
4. Click on the screen to drag and adjust the position
5. If there is an inverted screen, you can adjust the angle in the "Display" menu
6. If you want to zoom, you can select zoom under the "Display" setting and adjust it
7. Check the "Mirrored Display" at the bottom of the screen to display three screens at the same time



Fully portable, easy to assemble